

®

Cavaletti

PROFESSIONAL SEATING



Cavaletti NewNet
Cavaletti NewNet Soft

Cavaletti NewNet

The NewNet line offers the unique experience provided by the mesh backrest. Developed to continuously adapt to the curvature of the spine and provide greater support, this material also provides better natural ventilation when in use. NewNet Soft is the result of the union of the double membrane mesh with the flexibility of colors and coatings materials, combining the ergonomics provided by the mesh with the variety of finishes of an upholstered chair, in a sophisticated and unique design.



NOTE: Product in this image and on the cover of this catalog with Amber Orange Grid coating (361)

CHARACTERISTICS



ACCESSORIES
Headrest option available for models 16001 and 16501.



COATINGS
Different upholstery options for NewNet seat or NewNet Soft seat and backrest: Polyester, Space, CEC-Stilo, Vinyl, Polyester Blend, Politex, Haven, Natural Leather, Grid and Grani.



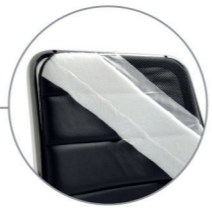
SEAT
Seat in injected foam with Gas Height Adjustment.



BASES
Base options in Aluminum or Nylon, with 65mm castors in Nylon or PU. Stamped or Steel Base with Plastic Cover, only 50mm castors in Nylon or PU.



MECHANISM
4-stage Synchron mechanism with front maniple tension adjustment or SRE MC Mechanism (both with option of seat depth adjustment) and on some models of the line, the Back Recline System (SRE).



BACKREST
Double membrane mesh (16000 models) with coating option for NewNet Soft (16500 models).



ADJUSTABLE ARMREST
Swivel Models with Adjustable Armrest SL, SL New PU, SL New PP (all with Side Adjustment option) or 3D (adjustable in height, advance and angle of the PU support).



STRUCTURE
Fixed structures with Integrated Armrest. Chromed or Black Universal Finish.



NOTE: Product in this image coated in Natural Leather Caramel (259).

CONFIGURATIONS

NEUNET



16001 AC Swivel Chair Synchron Armrest 3D Aluminum Base



16001 Swivel Chair Synchron Armrest 3D Stamped Base



16002 Swivel Chair Synchron Armrest 3D Nylon Base



16003 SRE Swivel Chair Backrest Recline System Armrest SL Nylon Base



16006 S Visitor Chair S Structure Integrated Armrest



16010 Bench L2048 Fixed Armrest Loop Intercalated Rear Slider with Adjustment



16010 Bench L2048 Fixed Rear Slider with Adjustment

NOTE: Product in this image with Graphite Polyester coating (257).

NEUNET SOFT



16501 AC Swivel Chair Synchron Armrest 3D Aluminum Base



16501 Swivel Chair Synchron Armrest 3D Stamped Base



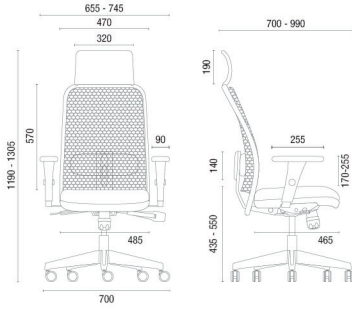
16503 SRE Swivel Chair Backrest Recline System Armrest SL New PU Stamped Base



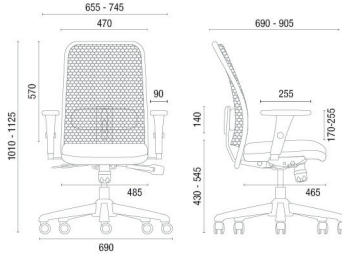
16506 S Visitor Chair S Structure Integrated Armrest

NOTE: Product in this image with Beige CEC-Stilo coating (080).

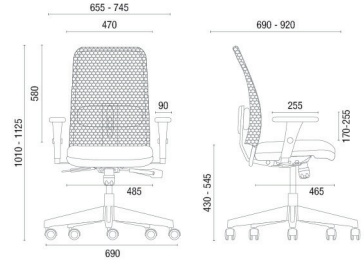
TECHNICAL DRAWINGS



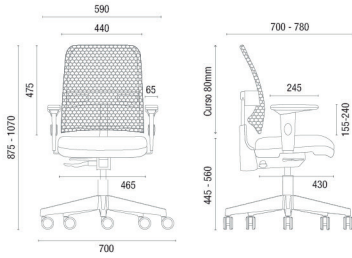
16001 AC Swivel Chair



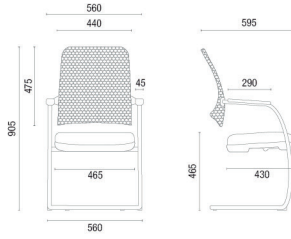
16001 Swivel Chair



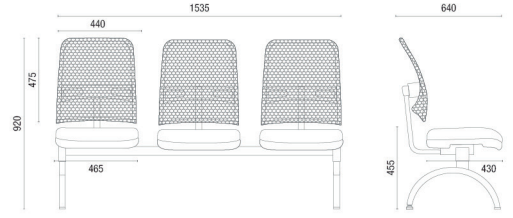
16002 Swivel Chair



16003 SRE Swivel Chair



16006 S Visitor Chair

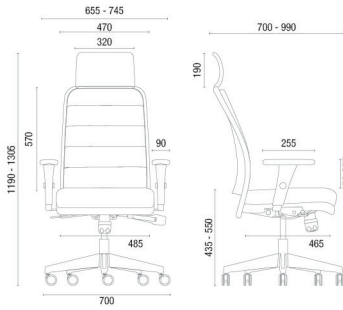


16010 Bench

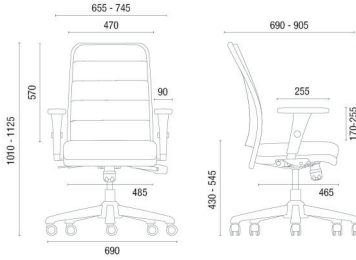
Armless widths:
 2 Seats- 1010mm
 3 Seats- 1535mm
 4 Seats- 2070mm
 5 Seats- 2600mm

Widths with intercalated Loop Arm:
 2 Seats - 1145mm
 3 Seats - 1675mm
 4 Seats - 2190mm
 5 Seats - 2730mm

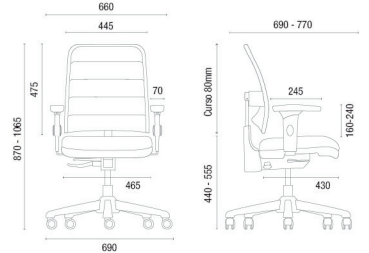
NEWNET SOFT



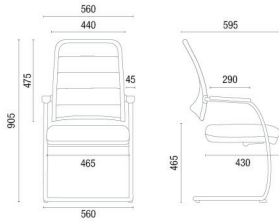
16501 AC Swivel Chair



16501 Swivel Chair



16503 SRE Swivel Chair



16506 S Visitor Chair

NOTE: Extreme measurements obtained without using a load gauge.



*Certified Products with Ecological Label (Quality - ABNT - Environmental) or ABNT NBR 13962 Standard, under consultation with the Commercial Department - Public Sector.