

Cavaletti

PROFESSIONAL SEATING



Cavaletti Moov



Cavaletti Moov

Cavaletti Moov is a multitask chair, ideal for dynamic environments. From the corporate office to coworking, there is always a version to meet the needs of the projects.

CHARACTERISTICS



BACKRESTS

Three backrest options: mesh, engineering polymer and engineering polymer with dust jacket.



COATED BACKREST

Back cover with two seam options: Smooth and diamond.



STRUCTURE

Engineering polymer frame available in Gray and Black according to configuration.



ARMRESTS

Fixed: TC arm.
Adjustable: SL and MC arm. All the models are available in colors Black and Gray.



BASES

Bases Up (with 65mm Casters in Nylon or PU) and Steel with Cover (with 50mm Casters in Nylon or PU), available in Black and Grey.



MECHANISM

Syncon type Mechanism, with starting position lock or relax free and automatic tension regulation, adjusting to the user's weight without need for manual adjustment.

NOTE: Product in this image with Dark Gray 404 Poltex.

DESIGN IN MOTION

The Moov is a versatile chair that features three back options: mesh, polymer engineering and polymer engineering with upholstered jacket. This diversity allows the model to be adapted to the needs of each activity.



NOTE: Products in this image with Blue 303 Mesh and Gray Metal 402 Poltex; Haven Concrete 562 and Haven Sand 560; Haven Field 556; Yellow 258 Polyester; White Metal 307 Mesh and Polyester Tangerine 172; Haven Terracotta 552; Graphite 308 Mesh; Haven Land 561.

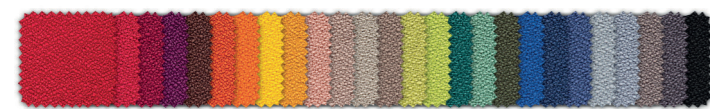
CUSTOMIZE AT WILL

Light and flexible in configurations makes it easy to specify for both fast use environments and heavy use for operating environments. The two structure color options, the six coating options and the eight mesh color options allow Cavaletti Moov to complement the project's moodboard, from the more formal to the more laid-back.

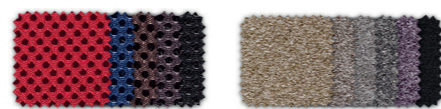


NOTE: Products in this image with Haven Field 556; Terracotta 552; Earth 561; Sand 560 and Haven Field 556.

COATING



POLYESTER
26 colors



SPACE
05 colors

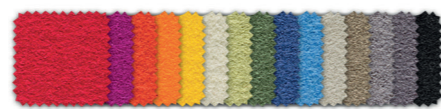
POLITEX
06 colors



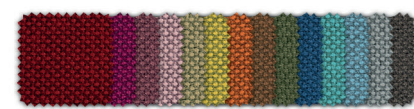
VINYL
12 colors



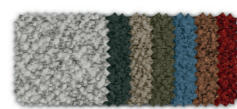
CEC - STILO
11 colors



HAVEN
15 colors



GRID
14 colors



GRANI
07 colors

CONFIGURATIONS

Check below some possible combinations for Cavaletti Moov and choose yours.



17.101
Swivel
Synchron
Mesh Back
Black Structure
MC Armrests
Base Up



17.201
Swivel
Synchron
Backrest in engineering polymer
Black Structure
MC Armrests
Base Up



17.301
Swivel
Synchron
Backrest in engineering polymer with dust jacket
Black Structure
MC Armrests
Base Up



17.101
Swivel
Synchron
Mesh Back
Gray Structure
MC Armrests
Base Up



17.201
Swivel
Synchron
Backrest in engineering polymer
Gray Structure
MC Armrests
Base Up



17.301
Swivel
Synchron
Backrest in engineering polymer with dust jacket
Gray Structure
MC Armrests
Base Up

NOTE: Products in this image with Graphite 308 Mesh and Gray Metal 402 PoliteX.

STRUCTURES



Black



Gray

SEAM

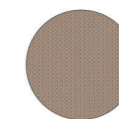


Diamond

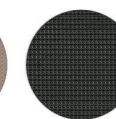


Smooth

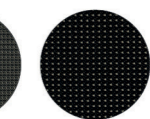
MESH



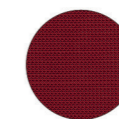
White Metal



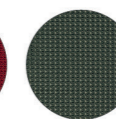
Graphite



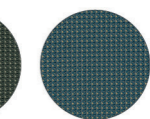
Black



Red

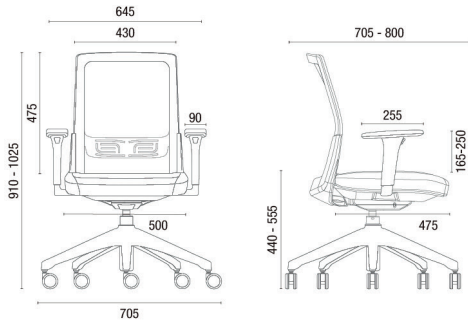


Lime Green

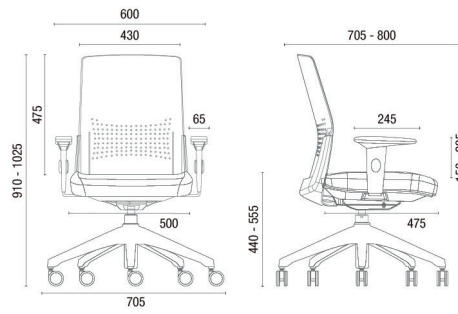


Blue

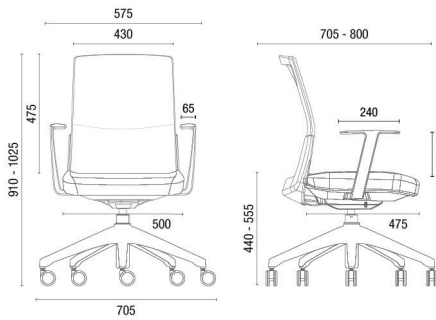
TECHNICAL DRAWINGS



17.101 Swivel - MC Arm and Base Up



17.201 Swivel - SL Arm and Base Up



17.301 Swivel - TC Arm and Base Up

NOTE: Extreme measurements obtained without using a load gauge.

NOTE: Cover products with White Metal 307 mesh and Haven sky 559, Haven Terracotta 552; Haven Sand 560.



The mark of responsible forestry

