

**Cavaletti**®

PROFESSIONAL SEATING



**Cavaletti** Essence





## Cavaletti Essence

In a directive space, it is essential to bring together in a single product, refined finishes, generous dimensions and ergonomic adjustments to ensure ample comfort in all the decisions of the day.



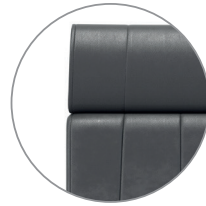
# CHARACTERISTICS



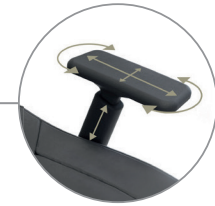
**BACKREST**  
Backrest with 750mm on the Highback model.



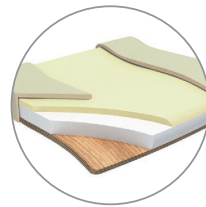
**MECHANISM**  
3-stage Synchron mechanism with tension regulation by front handle.



**COATINGS**  
Available in CEC - Stilo or 100% Natural Leather.



**ARMREST**  
Exclusive armrest, fixed in Aluminum or 4D in PU Soft Touch (adjustment in height, depth, lateral spacing and support rotation).



**COMFORT**  
Seat with two foam densities, distributed according to support area.



**SEAT**  
Seat with Depth Adjustment and Gas Height Adjustment.



**BASES**  
Base options in Aluminum or Nylon, with 65mm castors in Nylon or PU.



**STRUCTURE**  
Fixed base with front castors for better movement. Chrome or Black Universal Finish.

# CONFIGURATIONS



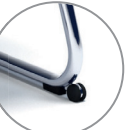
20.501  
**Swivel Highback**  
Synchron RP  
Fixed Aluminum Armrest  
Aluminum Base



20.502  
**Swivel Midback**  
Synchron RP  
Fixed Aluminum Armrest  
Aluminum Base



20.506 S  
**Visitor**  
Structures with front castors  
Fixed Aluminum Armrest



Mobility  
Front castors



20.501  
**Swivel Highback**  
Synchron RP  
4D Armrest  
Nylon Base



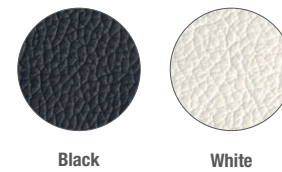
20.502  
**Swivel Midback**  
Synchron RP  
4D Armrest  
Nylon Base



20.506 S  
**Visitor Chair**  
Structure with front castors  
4D Armrest

# COATINGS

Natural Leather

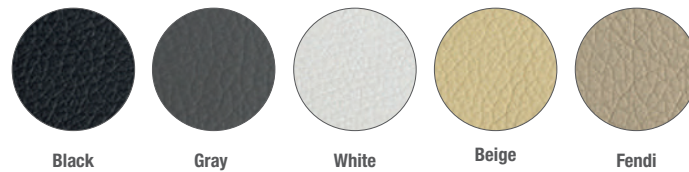


Black White



Brown Caramel

CEC - Stilo

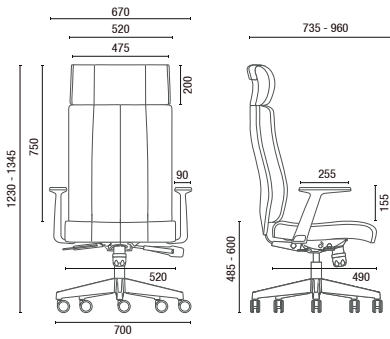


Black Gray White Beige Fendi

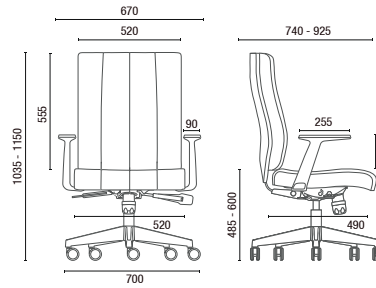


Red Wine Brown Green Blue

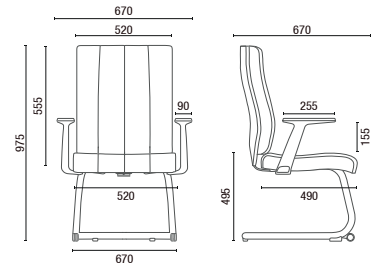
# TECHNICAL DRAWINGS



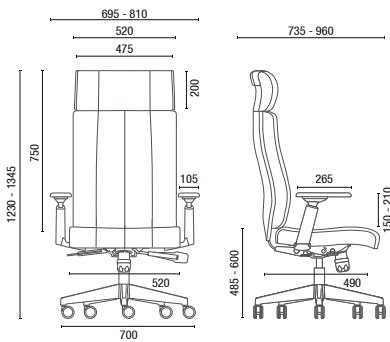
20.501 **Swivel Highback**  
Fixed Aluminum Armrest



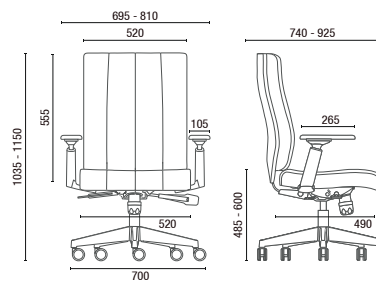
20.502 **Swivel Midback**  
Fixed Aluminum Armrest



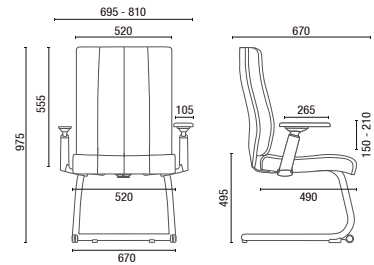
20.506 S **Visitor Chair**  
Fixed Aluminum Armrest



20.501 **Swivel Highback**  
4D Armrest



20.502 **Swivel Midback**  
4D Armrest



20.506 S **Visitor Chair**  
4D Armrest

NOTE: Extreme measurements obtained without using a load gauge.



Cavaletti S/A Professional Seating  
Street Dr. Hiram Sampaio, 550  
Erechim/RS Brasil 99.706-461  
Fone/Fax: (54) 3520.4100  
atendimento@cavaletti.com.br  
www.cavaletti.com.br

