

Cavaletti®

PROFESSIONAL SEATING



Cavaletti NewNet
Cavaletti NewNet Soft

Cavaletti NewNet

The NewNet line offers the unique experience provided by the mesh backrest. Developed to continuously adapt to the curvature of the spine and provide greater support, this material also provides better natural ventilation when in use. NewNet Soft is the result of the union of the double membrane mesh with the flexibility of colors and coatings materials, combining the ergonomics provided by the mesh with the variety of finishes of an upholstered chair, in a sophisticated and unique design.



CHARACTERISTICS



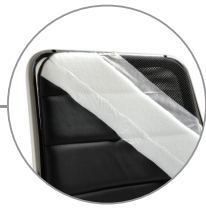
ACCESSORIES
Headrest option available for models 16001 and 16501.



MECHANISM
4-stage Synchron mechanism with front maniple tension adjustment or SRE MC Mechanism (both with option of seat depth adjustment) and on some models of the line, the Back Recline System (SRE).



COATINGS
Different upholstery options for NewNet seat or NewNet Soft seat and backrest: Polyester, Space, CEC-Stilo, Vinyl, Blend, Politex, Haven, Natural Leather and Grid.



BACKREST
Double membrane mesh (16000 models) with coating option for NewNet Soft (16500 models).



SEAT
Seat in injected foam with Gas Height Adjustment.



ADJUSTABLE ARMREST
Swivel Models with Adjustable Armrest SL, SL New PU, SL New PP (all with Side Adjustment option) or 3D (adjustable in height, advance and angle of the PU support).



BASES
Base options in Aluminum or Nylon, with 65mm castors in Nylon or PU. Stamped or Steel Base with Plastic Cover, only 50mm castors in Nylon or PU.



STRUCTURE
Fixed structures with Integrated Armrest. Chrome or Black Universal Finish.



NOTE: Product in this image coated in Natural Leather Caramel and in Black detail.

CONFIGURATIONS

NEUNET



16001 AC Swivel Chair
Synchron
Armrest 3D
Aluminum Base



16001 Swivel Chair
Synchron
Armrest 3D
Stamped Base



16002 Swivel Chair
Synchron
Armrest 3D
Nylon Base



16003 SRE Swivel Chair
Backrest Recline System
Armrest SL
Nylon Base



16006 S Visitor Chair
S Structure
Integrated Armrest



16010 Bench
L2048 Fixed
Armrest Loop Intercalated
Rear Slider with Adjustment



16010 Bench
L2048 Fixed
Rear Slider with Adjustment

NOTE: Product in this image with Graphite Polyester coating (257)

NEUNET SOFT



16501 AC Swivel Chair
Synchron
Armrest 3D
Aluminum Base



16501 Swivel Chair
Synchron
Armrest 3D
Stamped Base



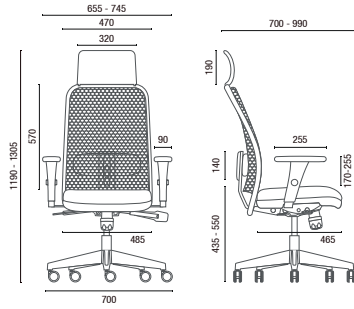
16503 SRE Swivel Chair
Backrest Recline System
Armrest SL New PU
Stamped Base



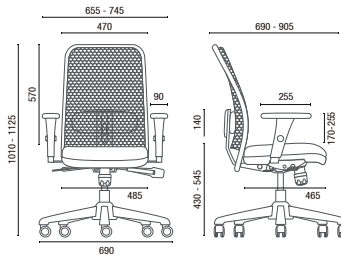
16506 S Visitor Chair
S Structure
Integrated Armrest

NOTE: Product in this image with Beige CEC-Stilo coating (080)

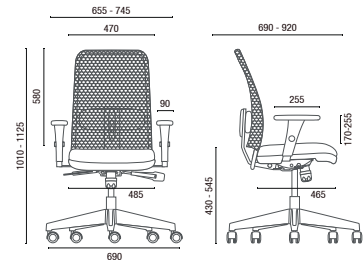
TECHNICAL DRAWINGS



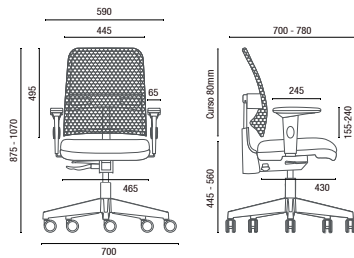
16001 AC Swivel Chair



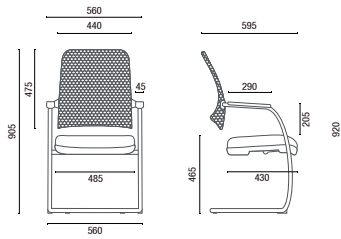
16001 Swivel Chair



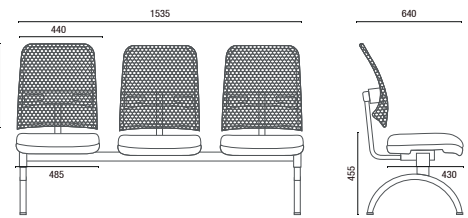
16002 Swivel Chair



16003 SRE Swivel Chair



16006 S Visitor Chair

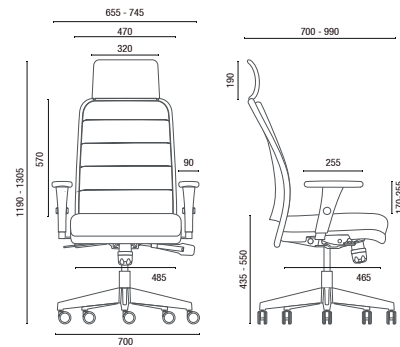


16010 Bench

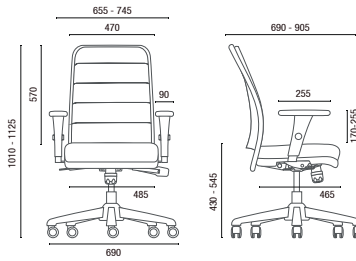
Armless widths:
 2 Seats- 1010mm
 3 Seats- 1535mm
 4 Seats- 2070mm
 5 Seats- 2600mm

Widths with intercalated Loop Arm:
 2 Seats - 1145mm
 3 Seats - 1675mm
 4 Seats - 2190mm
 5 Seats- 2730mm

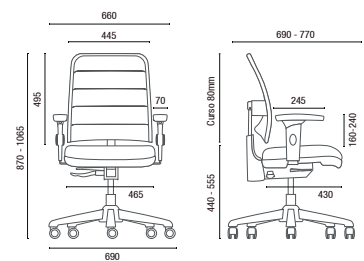
NEUNET SOFT



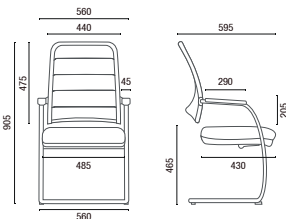
16501 AC Swivel Chair



16501 Swivel Chair



16503 SRE Swivel Chair



16506 S Visitor Chair

NOTE: Extreme measurements obtained without using a load gauge.



Cavaletti S/A Professional Seating
 Street Dr. Hiram Sampaio, 550
 Erechim/RS Brasil 99.706-461
 Fone/Fax: (54) 3520.4100
 atendimento@cavaletti.com.br
 www.cavaletti.com.br



*Certified Products with Ecological Label (Quality - ABNT - Environmental) or ABNT NBR 13962 Standard, under consultation with the Commercial Department - Public Sector.